

1

2

3

4

5

6

A

A

B

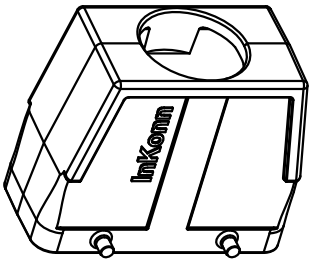
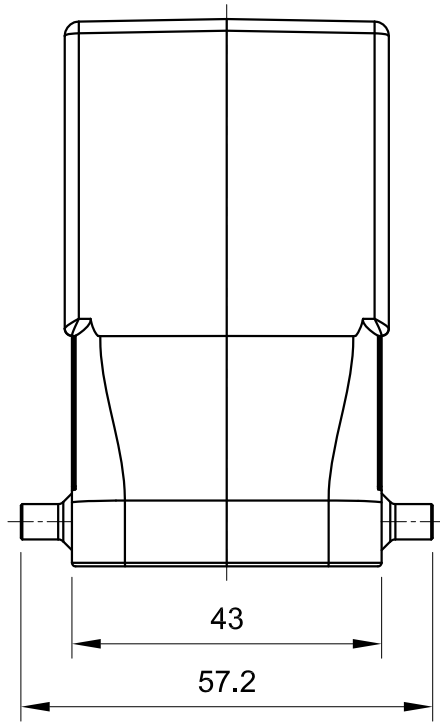
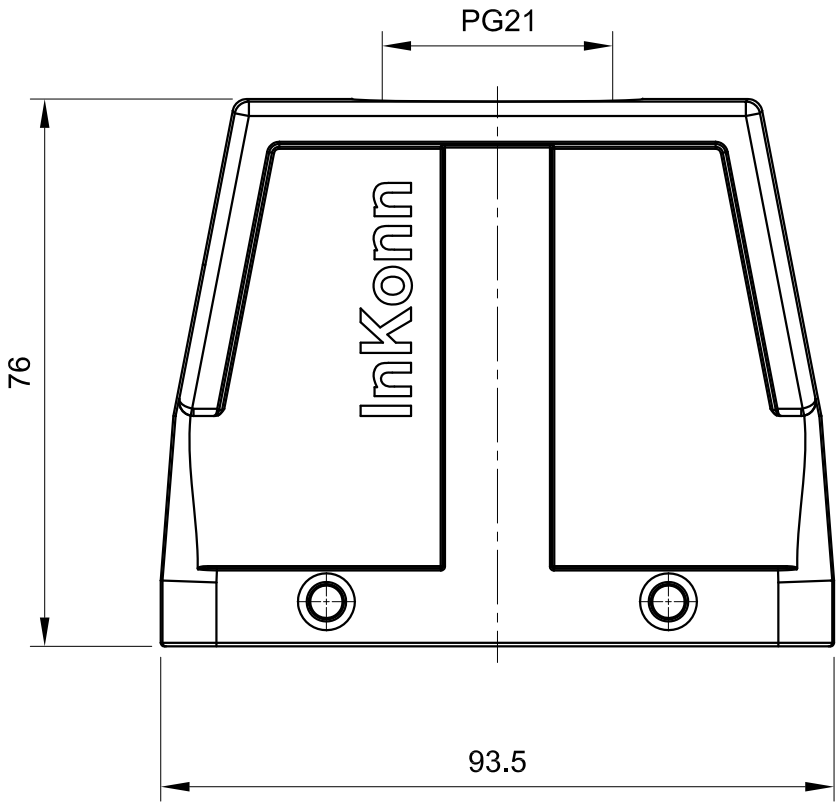
B


C

C

D

D



|  |                            |                           |                        |              |
|--|----------------------------|---------------------------|------------------------|--------------|
|  All Dimensions in mm<br>Original Size DIN A4 | Date<br>2020-07-11         | Drawing No.<br>TC6361536  | Rev.<br>A00            | Scale<br>1:1 |
|  | Part No.<br>10 11 816 1043 | Created by<br>Shuxu Huang | Checked by<br>Yiyi Luo | Page<br>1/1  |
| InKonn (Suzhou) Electric Technology Co.,Ltd. Type Name<br><b>HB16-HTE-QB-PG21</b>  |                            |                           |                        |              |

1

2

3

4

5

6